

ZT-100 I-Series Watercut Analyzers

- Insertion type
- Suits 2-48 inch lines
- RF Admittance / High Res Digital Capacitance
- Safe Anti-Blowout design

The ZelenTech I-Series is our trusted field proven range of insert Watercut Analyzers (also known as BS&W, OWD, WFM or Water in Oil Monitors) developed in-house.

The ZelenTech ZT-100 Watercut Analyzer determines the percent watercut in an oil emulsion without requiring the physical separation of the fluids. The emulsion stream is continuously monitored for capacitance and converted into percentage of water by the Watercut Analyzer logic.



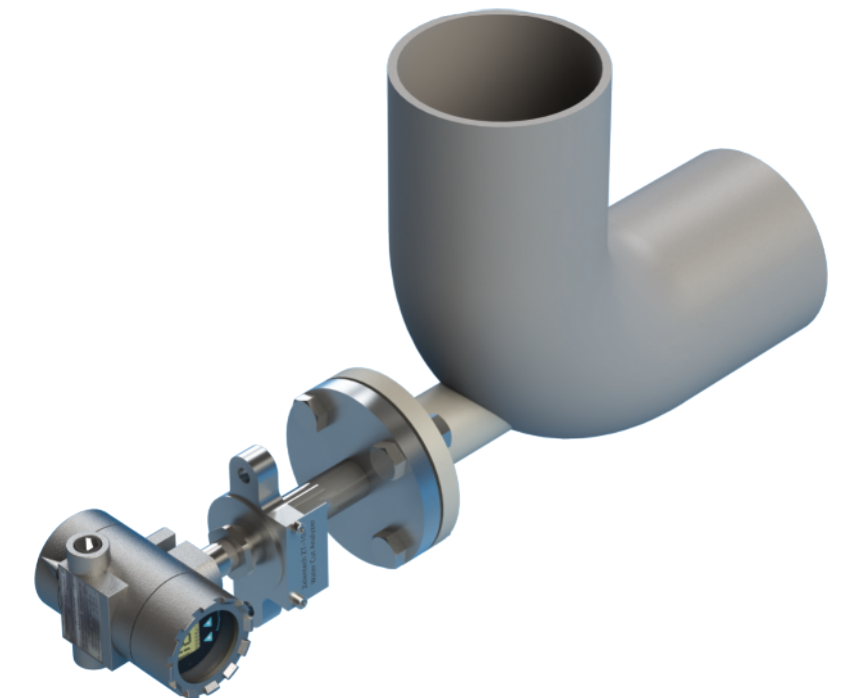
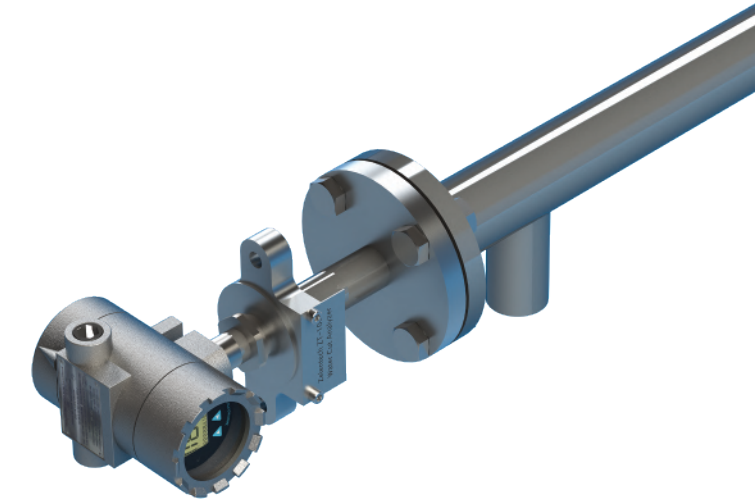
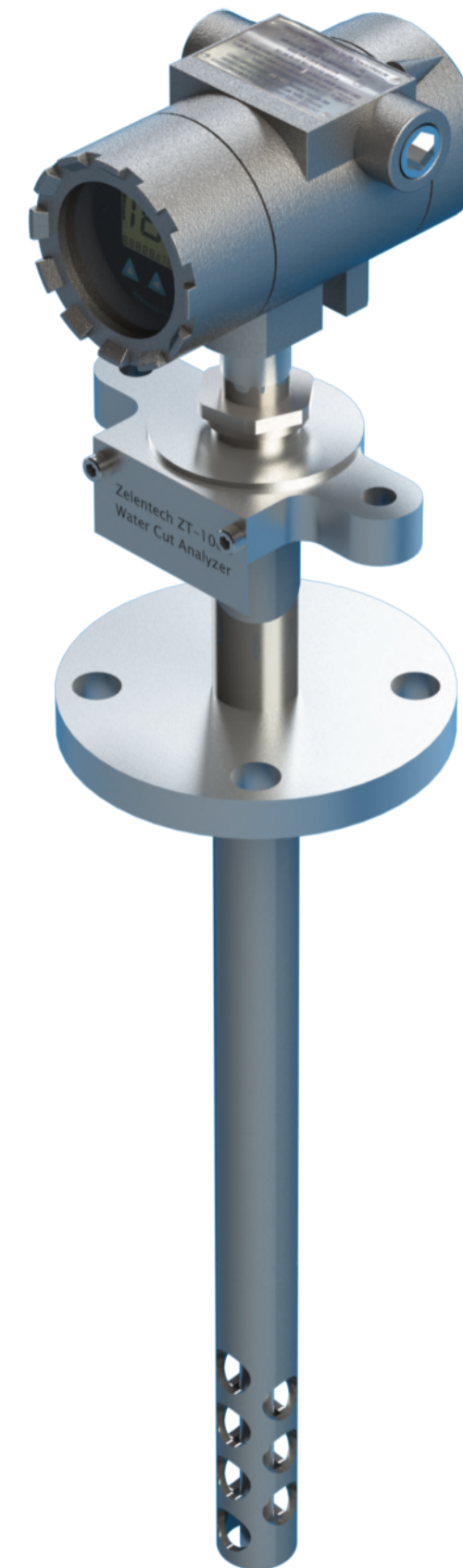
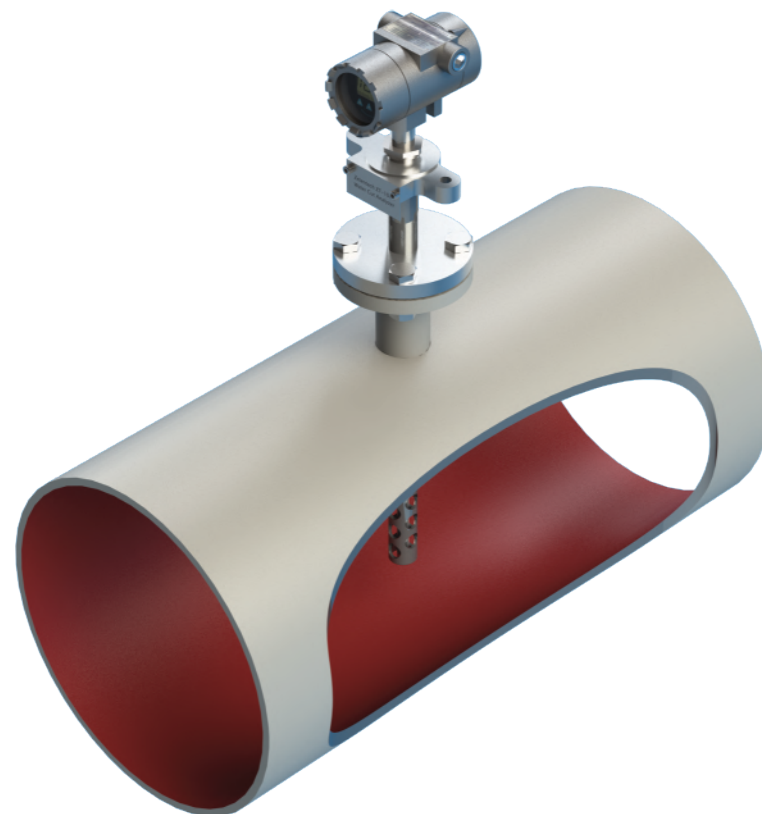


ZT-100 I-Series Watercut Analyzers

Fixed Installation

GENERAL INFORMATION - I-SERIES FLANGED

Mounting	Through 2 or 3 inch port / Nozzle
Pressure Ratings	Up to 260 bar / Class 1500#. Higher pressure on request.
Process Connection	ANSI, DN or JIS flange 2" or 3".
Probe Throw Length	Up to 1000mm
Range	Low Range 0-25%, High Range 0-65%, High Range 0-100% (select services).
Certification	IECEX, ATEX, ETL (us/ca)



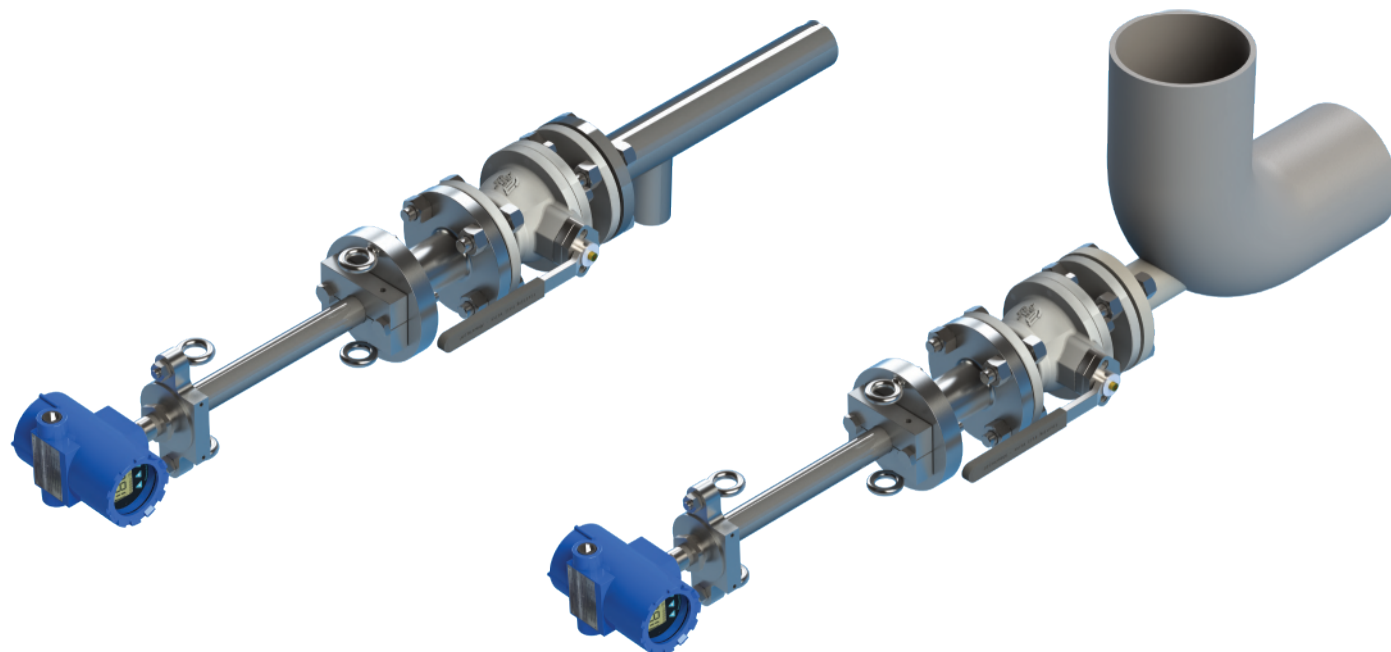


ZT-100 I-Series Watercut Analyzers

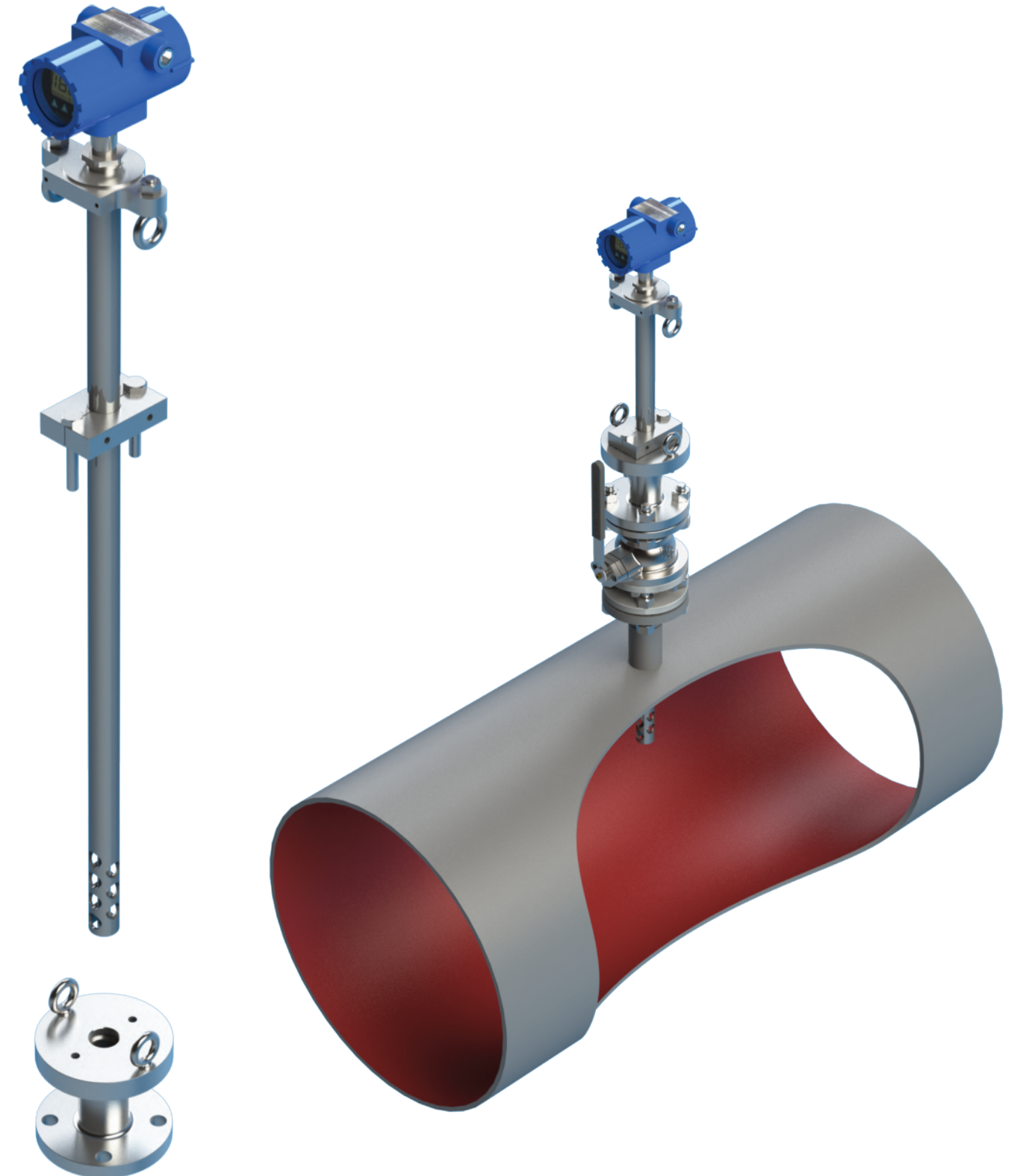
Retractable Installation Manual Retraction

GENERAL INFORMATION - I-SERIES MANUAL RETRACTION

Mounting	Through 2 or 3 inch port / Nozzle
Pressure Ratings	Up to 16 bar/ Class 150#
Process Connection	ANSI, DN or JIS flange 2" or 3". Insertion through 2" or 3" Full Bore Ball Valve.
Probe Throw Length	Up to 1000mm
Range	Low Range 0-25%, High Range 0-65%, High Range 0-100% (select services).
Certification	IECEX, ATEX, ETL (us/ca)



ZT-100 I-SERIES - WITH MANUAL EXTRACTION



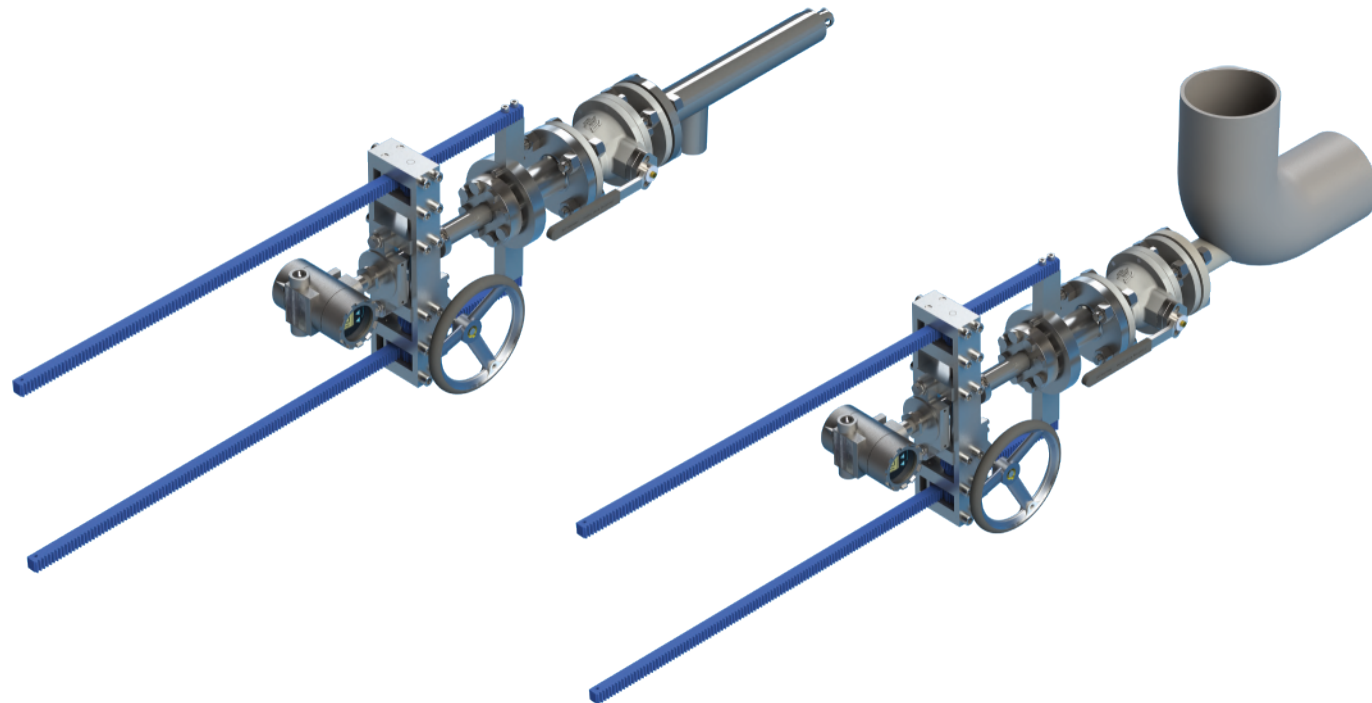


ZT-100 I-Series Watercut Analyzers

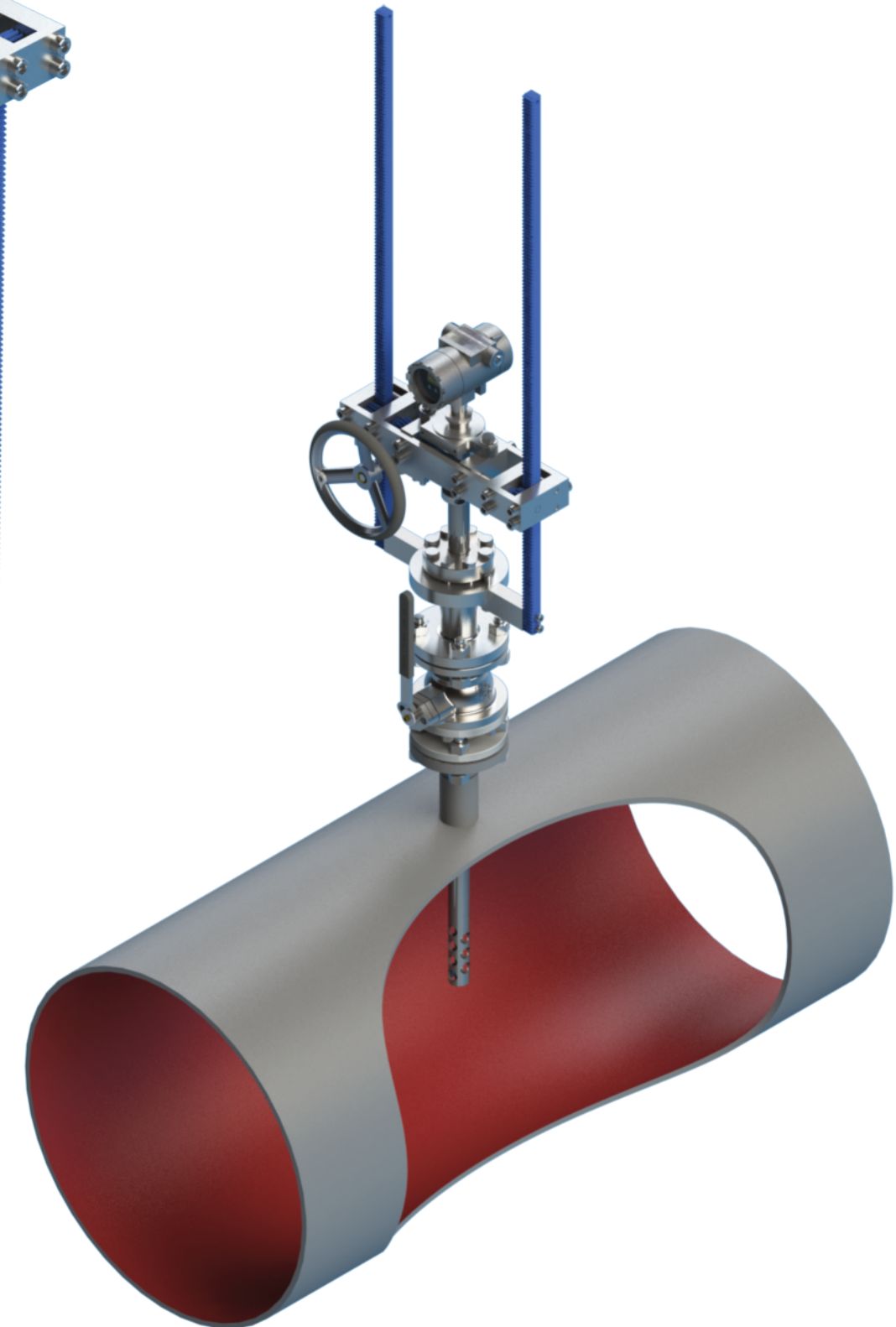
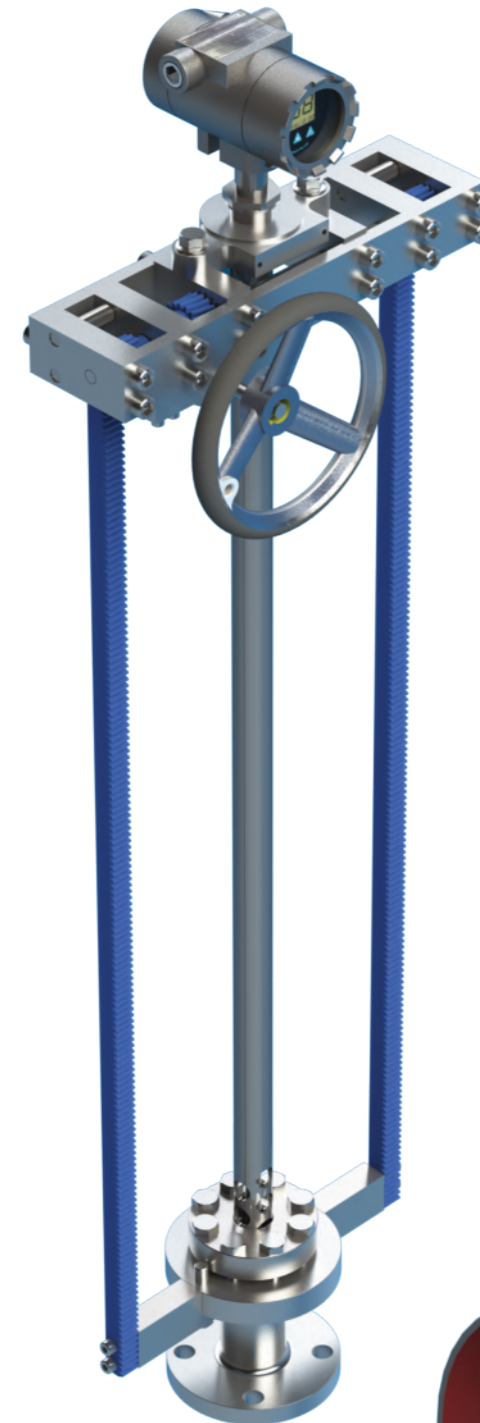
Retractable Installation Gear Assisted

GENERAL INFORMATION - I-SERIES GEAR ASSISTED RETRACTION

Mounting	Through 2 or 3 inch port / Nozzle
Pressure Ratings	Up to 50 bar / Class 300#
Process Connection	ANSI, DN or JIS flange 2" or 3". Insertion through 2" or 3" Full Bore Ball Valve.
Probe Throw Length	Up to 1000mm
Range	Low Range 0-25%, High Range 0-65%, High Range 0-100% (select services).
Certification	IECEX, ATEX, ETL (us/ca)



ZT-100 I-SERIES - MECHANICAL EXTRACTION



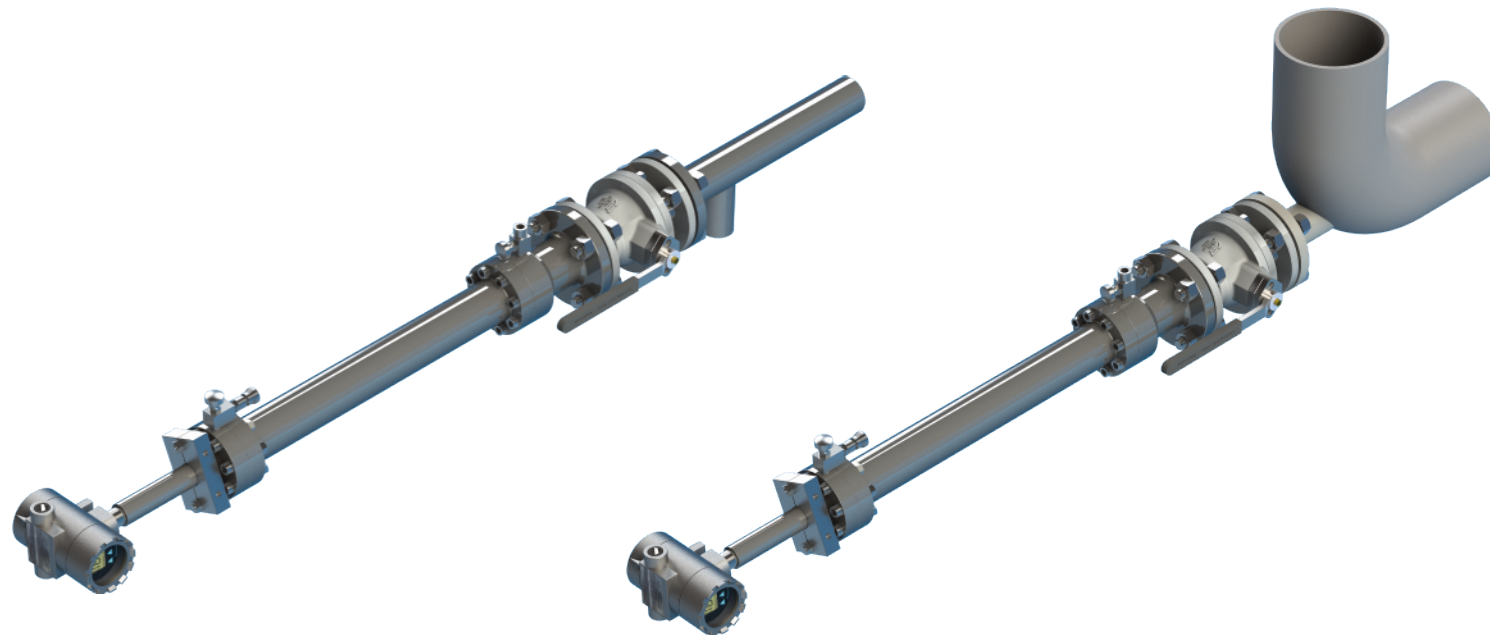


ZT-100 I-Series Watercut Analyzers

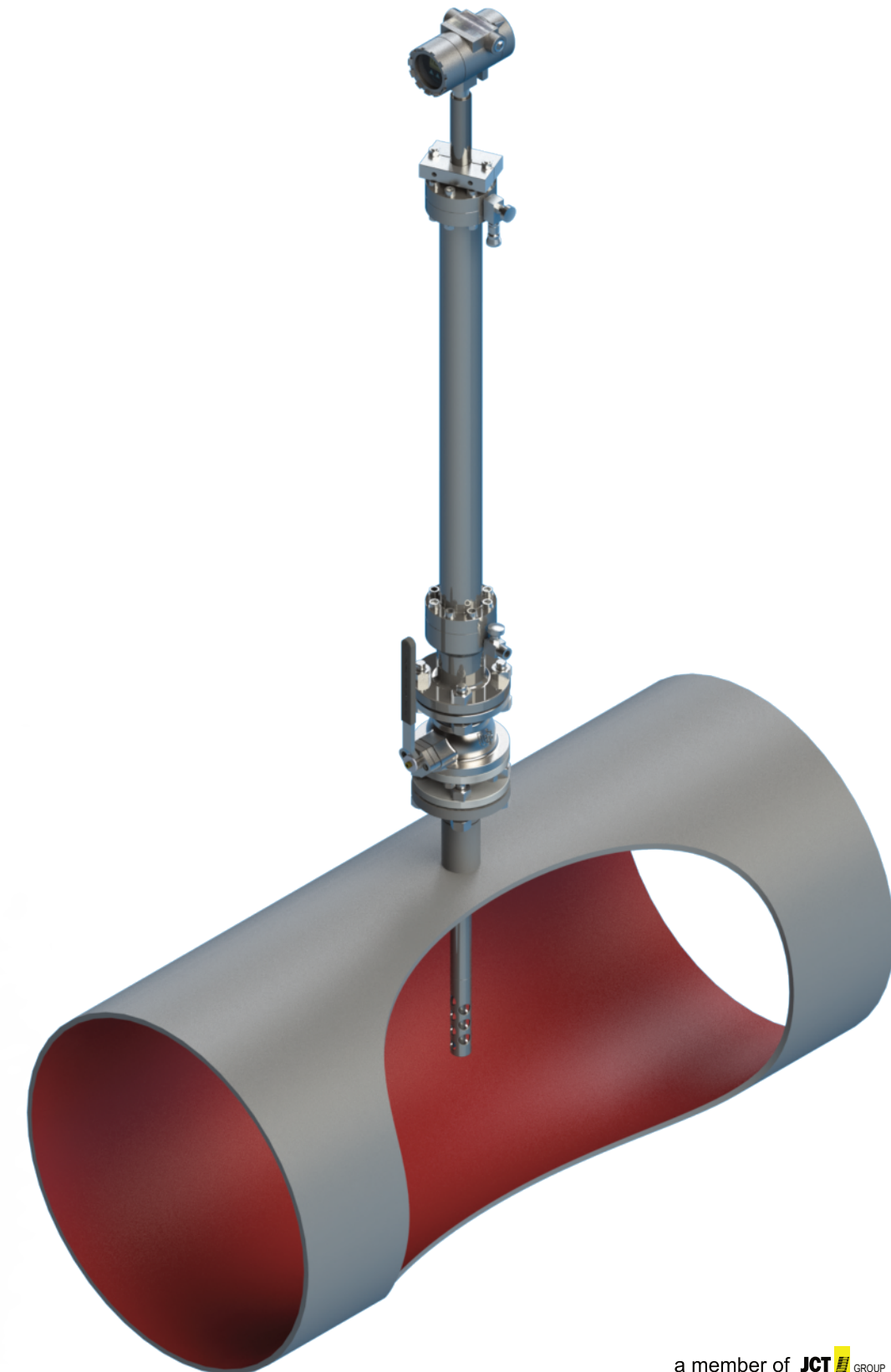
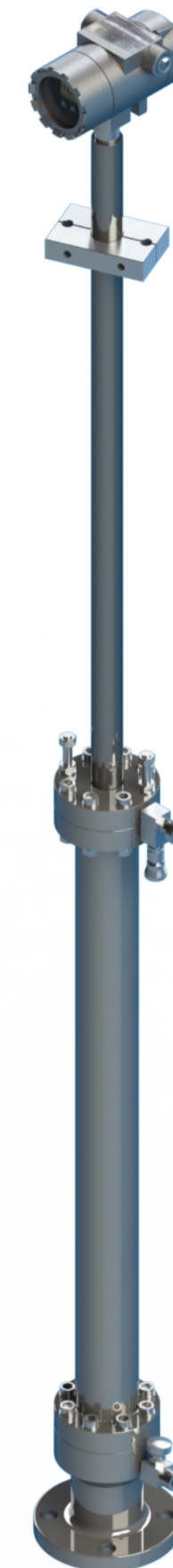
Retractable Installation Hydraulic

GENERAL INFORMATION - I-SERIES HYDRAULIC RETRACTION

Mounting	Through 2 or 3 inch port / Nozzle
Pressure Ratings	Up to 260 bar / Class 1500#
Process Connection	ANSI, DN2" or 3". Insertion through 2" or 3" Full Bore Ball Valve.
Probe Throw Length	Up to 1000mm
Range	Low Range 0-25%, High Range 0-65%, High Range 0-100% (select services).
Certification	IECEX, ATEX, ETL (us/ca)



ZT-100 I-SERIES - HYDRAULIC EXTRACTION





GENERAL SPECIFICATION

Operating Principle	RF Admittance / High Res Digital Capacitance	
Power	24VDC (Loop Powered)	
Output	4-20mA. Fully scalable	
Digital Interface	HART	
Operating Temp	Process Fluid	Standard version 0-135 deg C. High Temp version 0-240 deg C
	Ambient	-20 to 60 deg C
Resolution	Low Range: 0.01%	High Range: 0.01%
Repeatability and Precision	Low Range: Up to 0.05%	High Range: Up to 0.05%
Wetted Materials	SS316L. Optional: Duplex 2205, Inconel 625, Monel 400, Super Duplex 2507	
Seal Material	PEEK with Viton A O-Ring. O-Ring optional: Nitrile, PTFE, Kalrez.	
Corrosion Protection	NACE MR-0175/ISO 15156 2009, Sour service compliant	
Transmitter Mounting	Integral with sensor	
EXD Enclosure	Powder Coated Aluminium or SS316L	
Electrical Connection	¾" NPT or M20	
Ingress Protection	IP66	
Humidity Protection	Conformal coated PCB	
Accessories	Loop Powered remote 4-20mA Indicator	

IECEX: Ex db IIC T4 Gb, Ta= -20°C to +60°C

ATEX: Ex II 2 G, Ex db IIC T4 Gb, Ta= -20°C to +60°C

ETL: Class I, Zone 1 AEx db IIC T4 Gb, Ex db IIC T4 Gb

ETL: Class I Division 1 Gr BCD T4, Ta=-20°C to +60°C

Why ZelenTech?

The ZelenTech ZT100 Watercut Monitor is designed to provide reliable results in environments from the North Sea to Sahara. Offering unmatched flexibility for material, size, features and configurations the ZT100 can be integrated into almost every oil carrying system.

20220901

ZELENTech PTE. LTD
55 SERANGOON NORTH AVENUE 4
UNIT #04-05
SINGAPORE 555859

SALES@ZELENTech.CO

WWW.ZELENTech.CO

